



Features

- **60MHz Bandwidth Coverage 410-470 MHz bands**
Advanced data link design for high performance over entire band
- **High Air Link Rate**
19200bps(GMSK)
- **Multiple Protocol Support**
Support TRIMMK3, TRIMTALE and TRANSEOT protocols.
- **High Environmental Capabilities**
Wide temperature specifications.
High vibration tolerance
- **Compact Structural**
Size: 82.5x47x11mm

OEM Modem HX-DU2004D

Harxon radio modems provide reliable data communications for mission-critical applications where a combination of stability, supreme performance and long range are required.

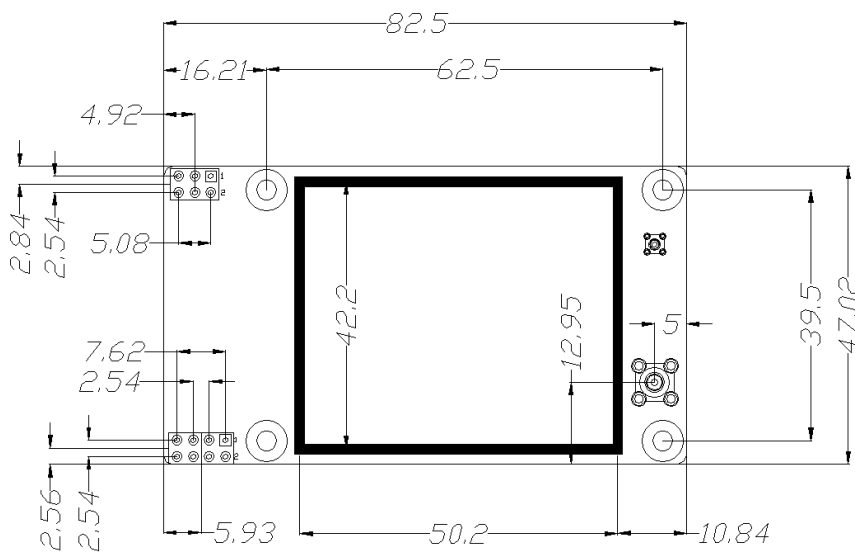
HX-DU2004D is a 0.5W and 2W UHF transceiver designed for integration into products that require either a one- or two-way radio communication link that is configurable for operation between 410-470MHz. This modem provides reliable operation with sophisticated features which make them versatile and easy to use for a wide variety of applications. Their compact size and ease-of-use make these units perfect for innumerable mobile / remote data applications.

HX-DU2004D integrating the latest modem technology from Harxon, which can be widely used in oil and gas field monitoring, water and waste water management, automatic vehicle location, differential GPS navigation and differential and RTK survey correction applications.

Technical Specifications

General Specification		
Frequency range	410~470MHz	
Operating mode	Half-duplex	
Channel spacing	25KHz, 12.5KHz	
Modulation type	GMSK	
Operation voltage	5-20V	
Power dissipation(Typical)	High power level	6.0W @ DC 5V
	Low power level (15W)	3.5W @ DC 5V
	Receiver	0.5W @ DC 5V
Frequency stability	≤±1.0ppm	
Size	82.5×47×11mm	
Weight	About 88g	
Temperature(operation)	-40℃~+70℃	
Temperature (storage)	-40℃~+85℃	

Antenna port	MCX or IPEX or MMCX	
Antenna impedance	50ohm	
Data interface	3*2-2.54mm Spacing and 4*2-2.54mm Spacing	
Transmitter		
RF output power	High level (2W)	33±1dBm@DC 5V
	Low level (0.5W)	27±1dBm@DC 5V
Power stability	±1dB	
Harmonics	>52dB	
Receiver		
Sensitivity	-115dBm@BER 10 ⁻³ , 9600bps	
Co-channel rejection	>-12dB	
Adjacent channel selectivity	>50dB@25KHz	
Modem		
Air baud rate	4800bps、9600bps、19200bps	
Modulation type	GMSK	
Serial port baud rate	9600 bps、19200 bps、38400 bps、57600 bps、115200 bps	



Dimension (mm)

Harxon Corporation

www.harxon.com
 sales@harxon.com
 Tel: +86 0755-26989948 Fax: +86 0755-26989994



HARXON AUTHORIZED DISTRIBUTION PARTNER